

RK900-03 Portable Weather Station is a high-integrated mini weather station of micro-power consumption, equipped with a lightweight telescopic tripod for rapid installation. Its functions as : short-term meteorological observations; chronically continuously monitoring small weather station and adaptable for mobile real-time data collection. Five sensors are included, such as wind direction, wind speed, barometric pressure, temperature, humidity sensor (others can be customized). The test data can be transmitted to a fixed meteorological data center or vehicle mobile center system via RS232, RS485, USB or GPRS wireless communications.

## FEATURES

- High accuracy
- Strong resistance to harsh environment
- Low power consumption
- Aluminum alloy frame, one-hand carry, rapid set up in 10s
- Additional sensors can be customized
- Being equipped with lithium battery and various power supply interfaces
- Variety of communication mode for option



## APPLICATIONS

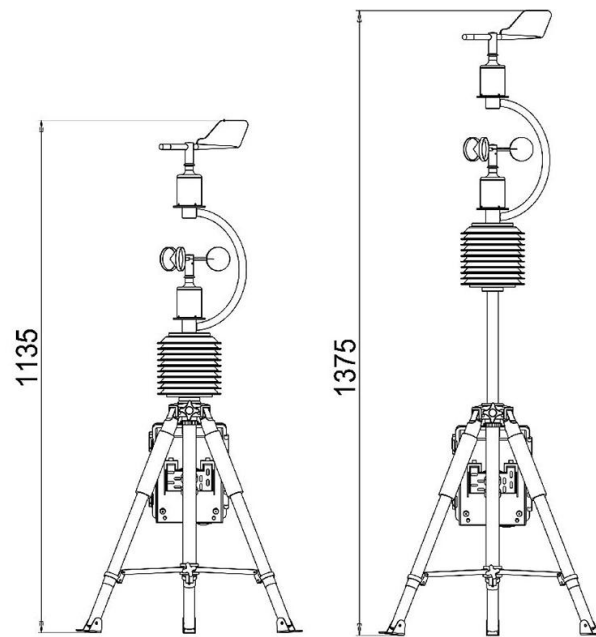
- Emergency meteorological monitoring
- Individual meteorological support
- Agricultural weather monitoring
- Research and teaching
- Micro-meteorological research

## TECHNICAL SPECIFICATION

Measure item	Measure range	Resolution	Accuracy
Wind speed	0-45m/s	0.1m/s	± (0.3±0.03V) m/s
Wind direction	0-360°	1°	±3°
Atmospheric temperature	-50-+100°C	0.1°C	±0.5°C
Atmospheric humidity	0-100%RH	0.1%RH	±3%
Atmospheric pressure	10-1100hPa	0.1hpa	±0.3hPa
Item	Details		
Storage capacity	4M,if stored hourly, you can store data for one month.		
Meteorological monitoring software(for free)	Use to real-time display, analysis and storage data on the PC		
Communication mode	Default R232,RS485 & GPRS is optional		
Supply	Recharged 4.8 AH lithium battery or ac adapter(AC100-240V) or 12DC		
Power consumption	<1W		
Electronic compass(optional)	With electronic compass when installation does not need to manually to the north		


Portable aluminum alloy instrument box(optional)	600*200*500mm
Installation	The AWS can complete the installation within 1 minute
Ingress protection	IP65
Operating temperature	-40°C -+70°C
Dimension	1375 mm(Shrinkage at 1135 mm,Height can be customized.)
Weight(unpacked)	5kg

**Dimension**



Extension-type tripod



 Complies with applicable CE directives.

Specifications subject to change without notice. Version 3.0

Copyright © 2015 Hunan Rika Electronic Tech Co.,Ltd

**DATALOGGER INDONESIA | PT TESTINDO**

Office: Jl. Radin Inten No 61 B Duren Sawit - Jakarta Timur

Mobile: 0812-2388-8451 | 0822-5870-6420

Email: [sales@dataloggerindonesia.com](mailto:sales@dataloggerindonesia.com)

Website: [www.dataloggerindonesia.com](http://www.dataloggerindonesia.com) | [www.dataloggerindonesia.co.id](http://www.dataloggerindonesia.co.id)

 DATA LOGGER  
INDONESIA